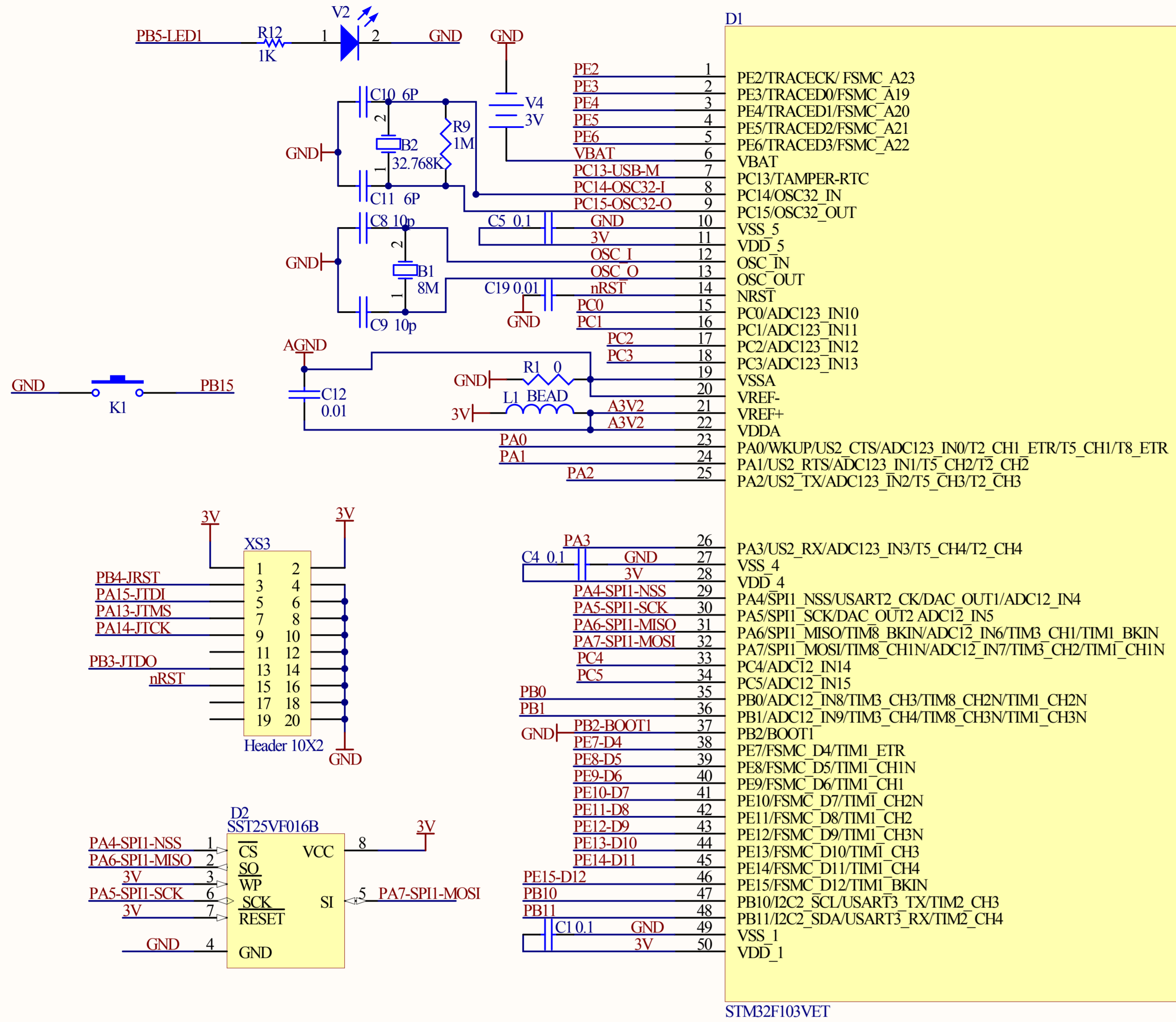
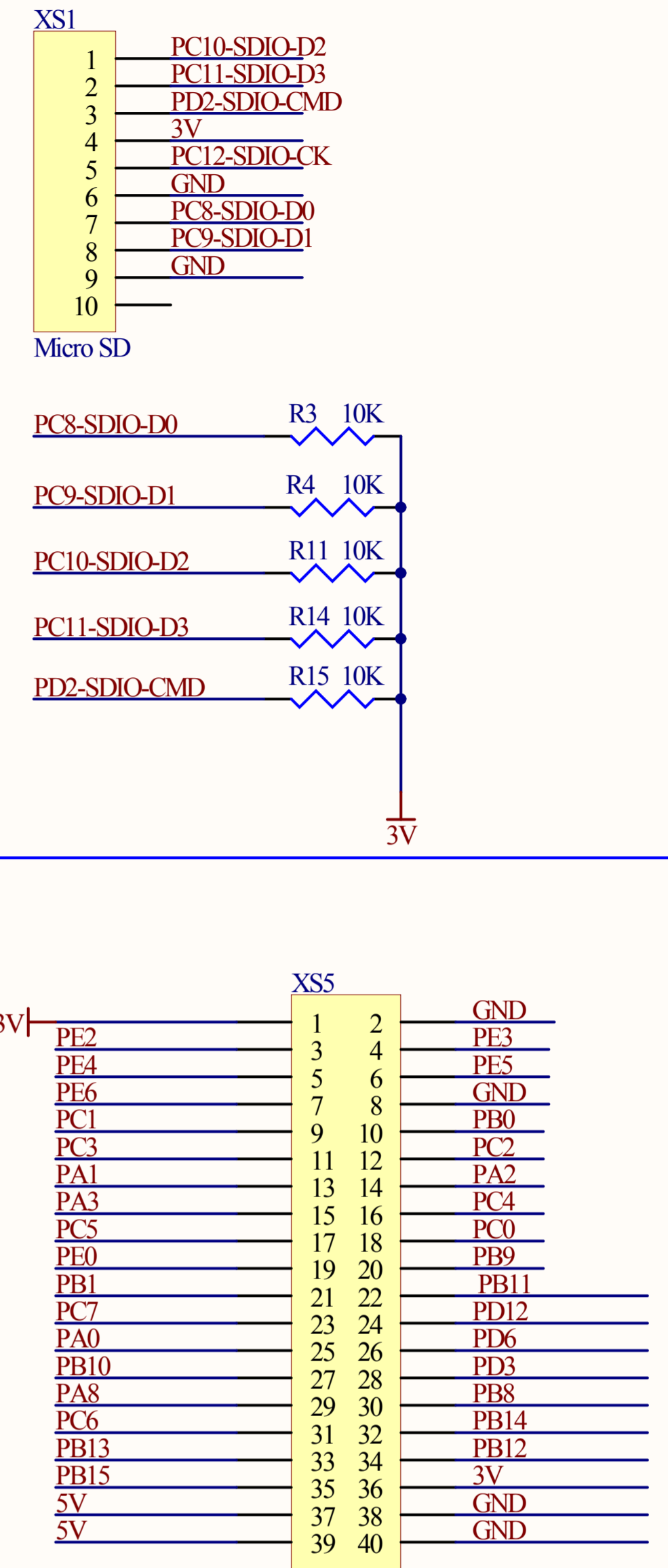


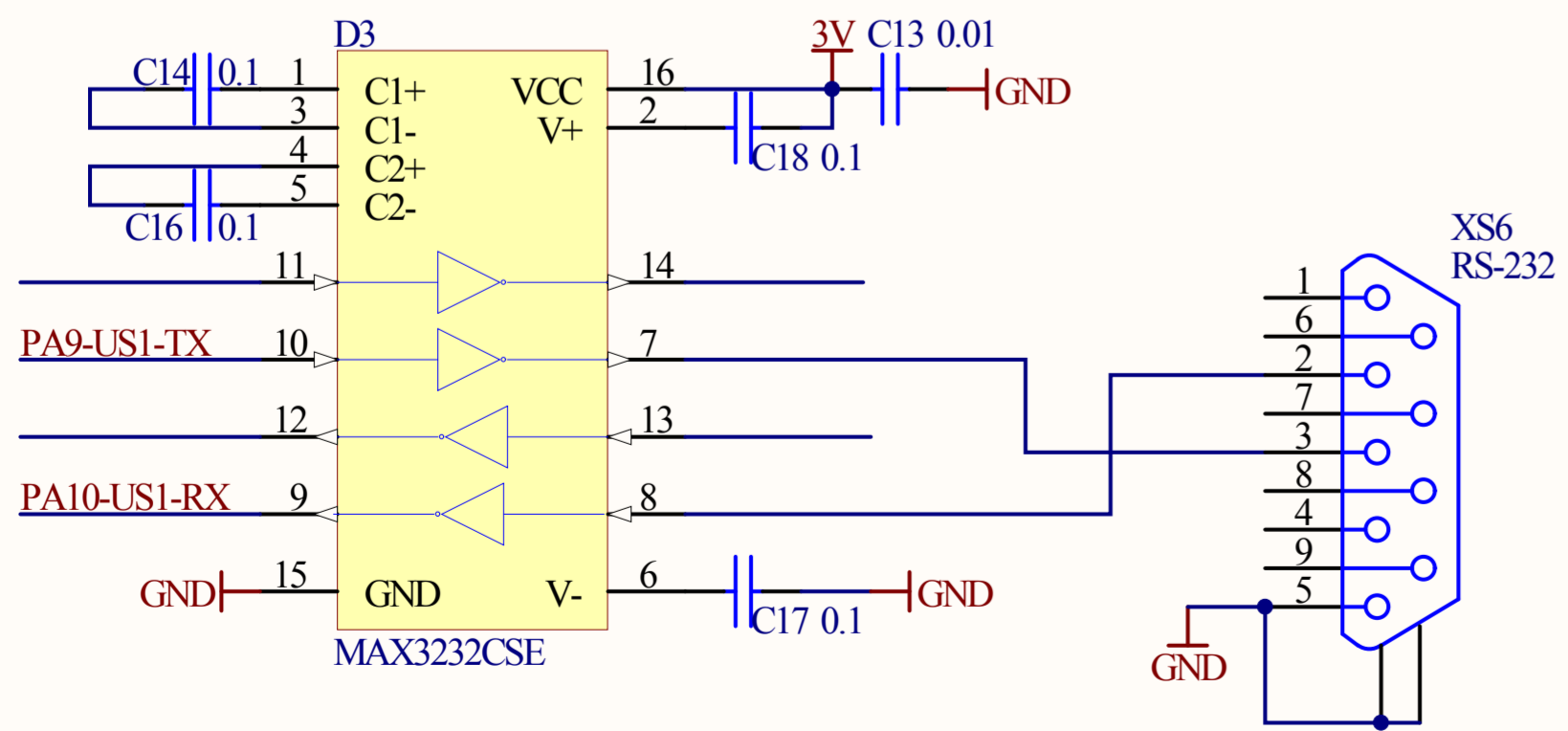
MCU



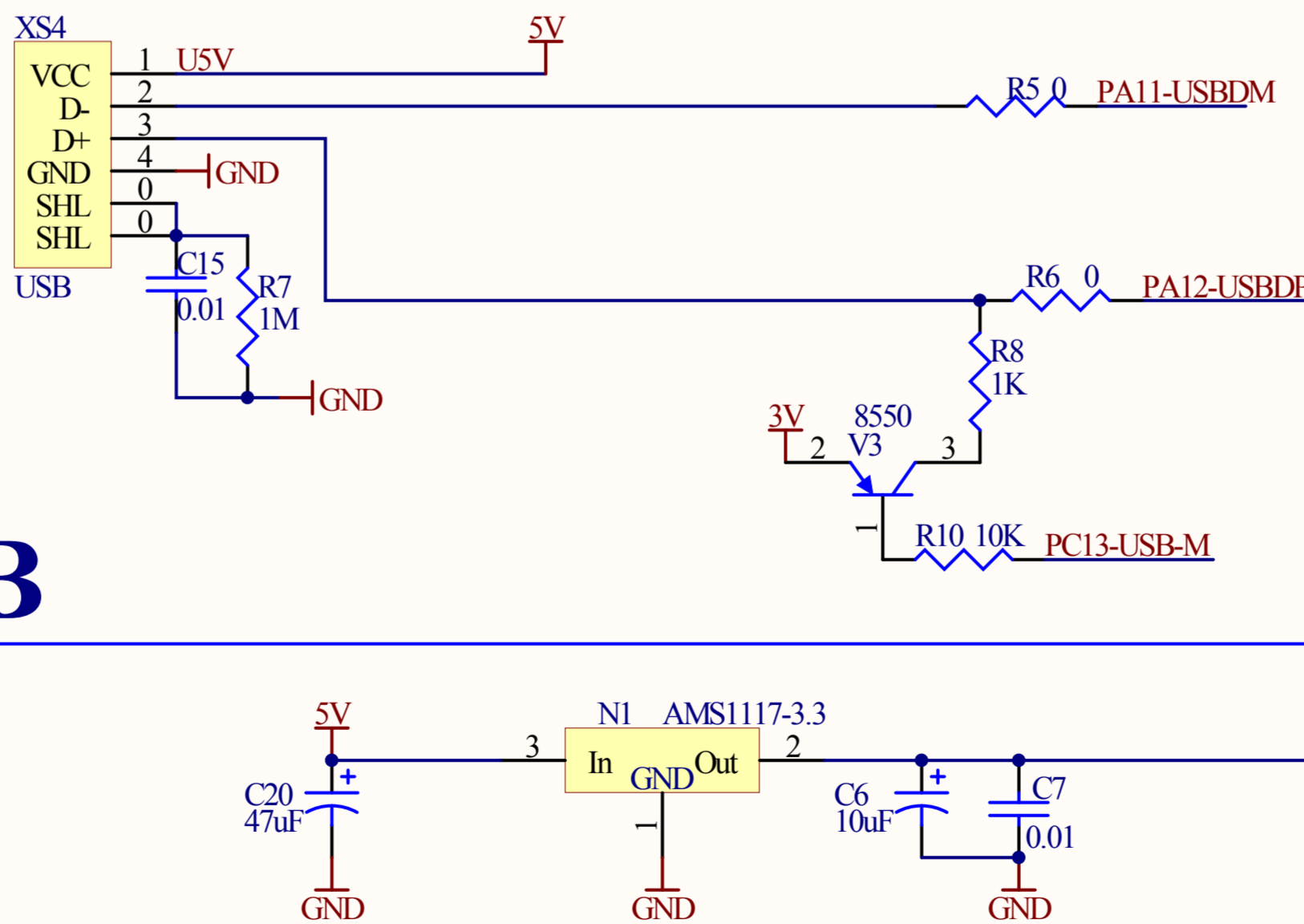
Micro SD



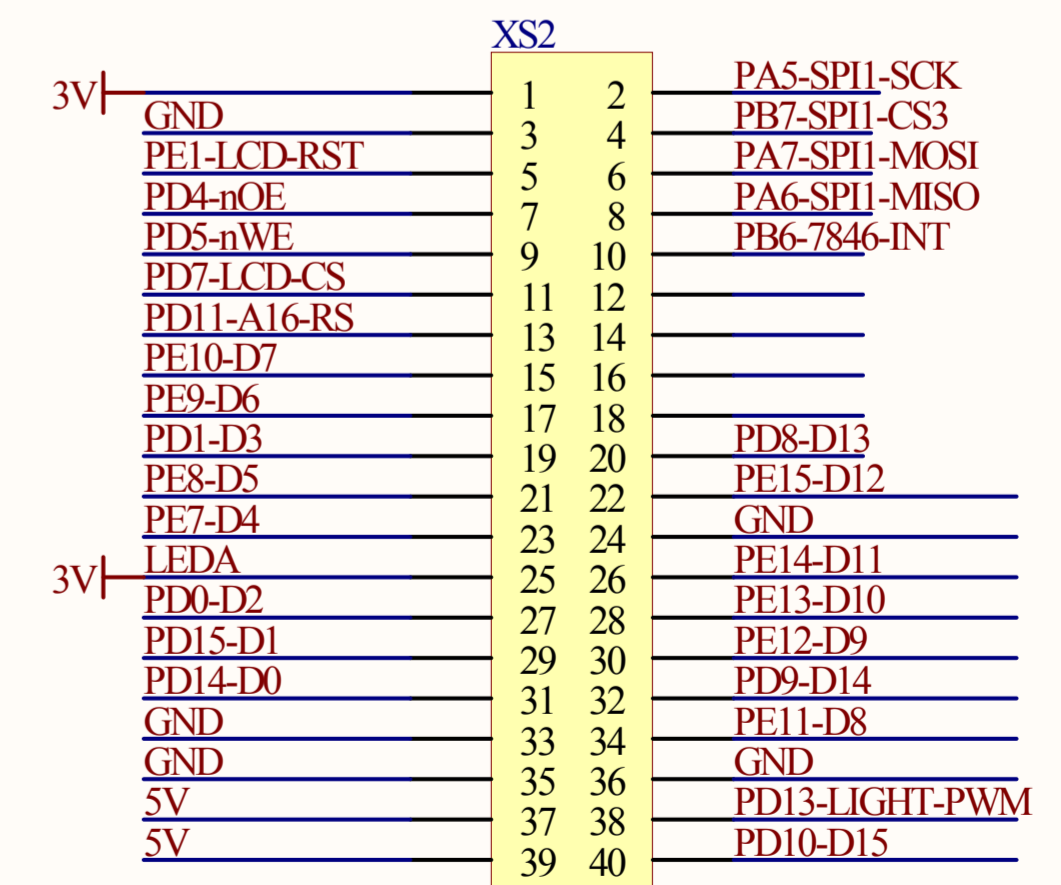
RS-232



USB



TFT



Title		
STM32 MINI		
Size	Number	Revision
A3		
Date:	2010-8-5	Sheet of
File:	F:\stm32\STM32-FD-HX-SST.SCHDOC	Drawn By: